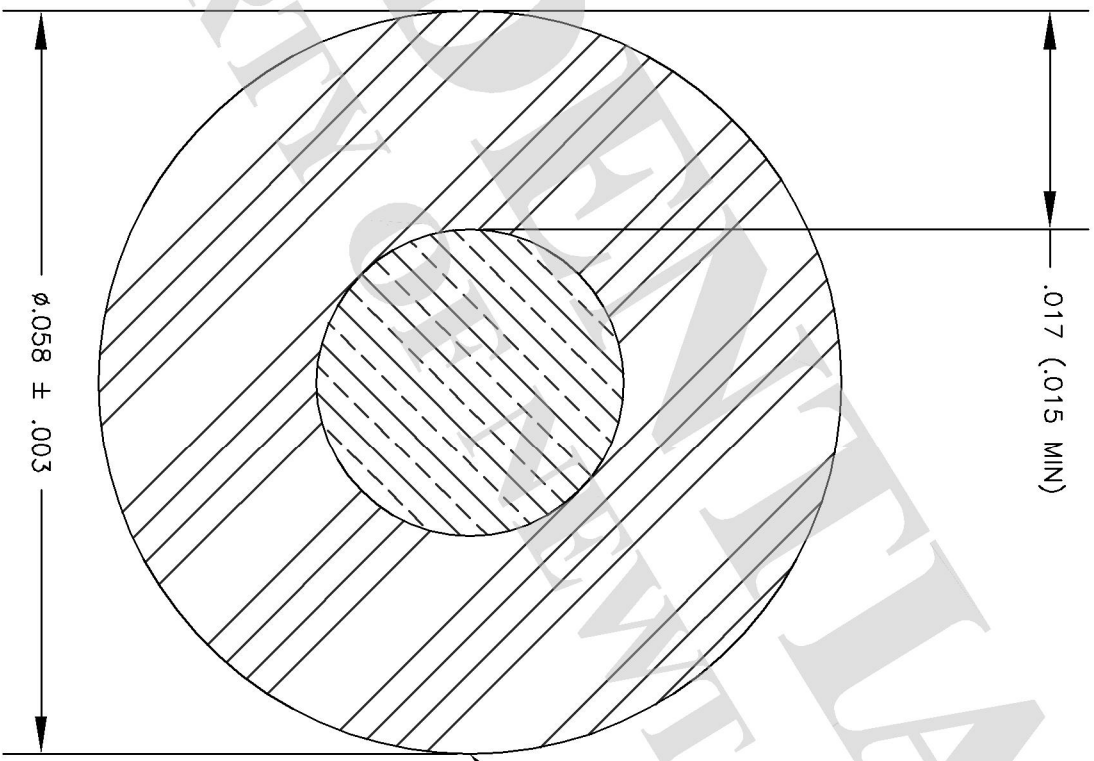


DRAWING #: 10007623C-NE SHEET: 1 NEW PART: N26-36T-254-R1-3UL

REV. - DCN # - DESCRIPTION: INITIAL RELEASE BY: RT DATE: 06/20/2017

REVISIONS

24 AWG SINGLE:
 24 AWG 19/36 TINNED COPPER
 0.017" (0.015" MIN) SILICONE RUBBER TO 0.058" +/- 0.003"
 OD - RED
 UL AWM 3132 150C 300V



24 AWG SINGLE

ACTUAL SIZE

ENG.

PROD.

TITLE:

24 AWG SINGLE

REV.

ALL DIMENSIONS ARE IN INCHES UNLESS OTHERWISE SPECIFIED

DRAWN BY: R. TRAHAN
 DRAWING #: 10007623C-NE



NEW ENGLAND WIRE TECHNOLOGIES
 GAGE NUMBER: 74116
 SCALE: NONE

NEW PART: N26-36T-254-R1-3UL
 DO NOT SCALE PRINTS

SIZE: A
 SHEET SET: 1 OF 1

THE ENTIRE INFORMATION CONTAINED HEREON IS THE PROPERTY OF NEW ENGLAND WIRE TECHNOLOGIES CORPORATION IN LISBON, NH AND MAY NOT BE REPRODUCED OR USED WITHOUT PERMISSION OF NEW ENGLAND WIRE TECHNOLOGIES CORPORATION, 130 NORTH MAIN STREET, LISBON, NEW HAMPSHIRE 03585