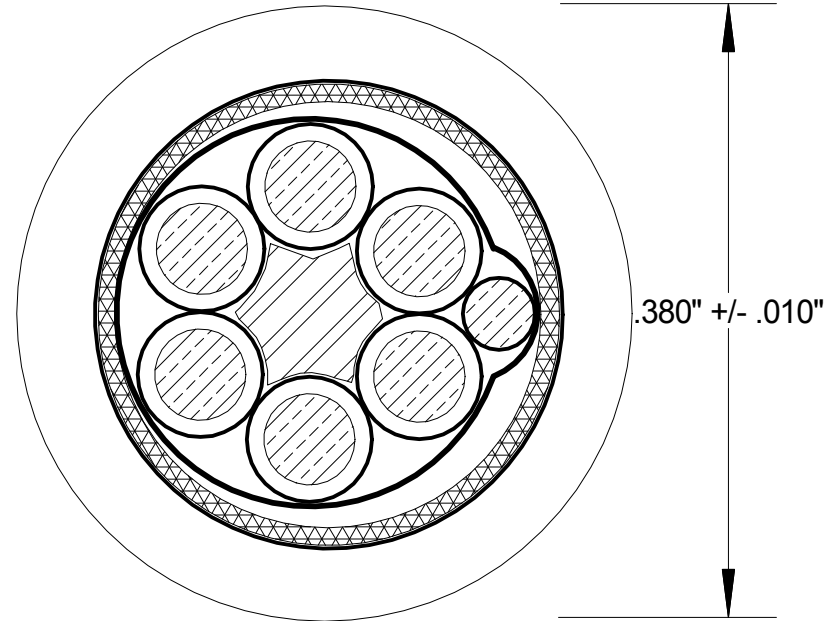


Number of Conductors: 6
 AWG/Strand: 16 awg (26/30) TPC .057" Nom. Smooth Bunch
 Primary Insulation: .010" Nominal Wall HDPE
 Primary O.D.: .078" +/- .002"
 Color Code: Black, White, Red, Green, Blue, Violet
 Cabled/Bunched: 3.5" Left Hand Lay
 Center Filler: Fibulated Polypropylene
 Drain Wire: 16 awg (26/30) TPC
 Overall Shield: Aluminum/Polyester/Aluminum
 Braid Shield: 36 awg Tinned Plated Copper
 85% Minimum Coverage
 Separator: Tissue Paper
 Jacket: .060" Nominal Wall (58202) Polyurethane
 Pressure Extruded for Roundness
 Jacket Color: Yellow
 Finished O.D: .380" +/- .010"
 Jacket Printed: 300V TC CE RoHS CRANESMART SYSTEMS INC
 Print: Black Ink
 Voltage Rating: 300 Volts
 Temperature Rating: -40°C to +80°C

Revisions				
Rev.	Description	Date	Edit By	



Drawing #:	C5855	Rev.	A
------------	-------	------	---

