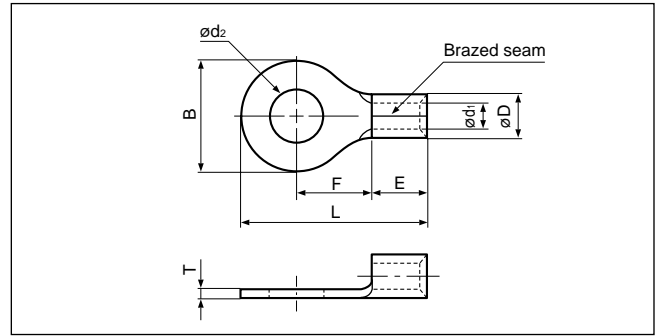


Solderless terminals



RING TONGUE (R type) Non-insulated



JQ0608019
JQID08002
JIS QJMY14001
JIS C 2805

Certificate No.: E42024 LR20812 JQ0608019

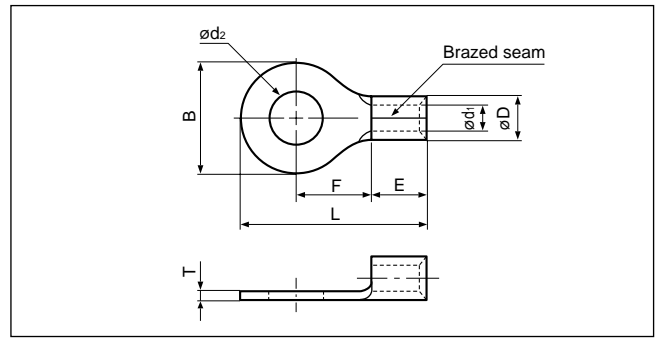
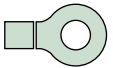
Applicable Wire AWG#(mm ²)	Stud size		Part No.		Standard	Dimensions mm (in.)								Tool No.	Qty/box
	American	Metric	JST	JIS		ød ₂	B	L	F	E	øD	ød ₁	T		
26 to 22 (0.2 to 0.5)	1-2	2	0.5-2			2.2 (.087)	5.2 (.205)	12.4 (.488)	5.8 (.228)	4.0 (.157)	2.0 (.079)	1.0 (.039)	0.5 (.020)	YHT-2622 YA-1 YA-2 BCT-0514L	1,000
	3-4	3	0.5-3			3.2 (.126)	5.2 (.205)	12.4 (.488)	5.8 (.228)						
	5-6	3.5	0.5-3.7			3.7 (.146)	6.6 (.260)	15.0 (.591)	7.7 (.303)						
	8	4	0.5-4			4.3 (.169)	6.6 (.260)	15.0 (.591)	7.7 (.303)						
	10	5	0.5-5			5.3 (.209)	8.0 (.315)	15.0 (.591)	7.0 (.276)						
22 to 16 (0.25 to 1.65)	1-2	2	1.25-2			2.2 (.087)	5.5 (.217)	11.5 (.453)	4.0 (.157)	4.8 (.189)	3.4 (.134)	1.7 (.067)	0.8 (.031)	YHT-2210 YA-1 YA-2 YA-4 BCT-0514L	1,000
	3-4	3	1.25-3	R1.25-3		3.2 (.126)	5.5 (.217)	11.5 (.453)	4.0 (.157)						
	3-4	3	1.25-MS3			3.2 (.126)	5.5 (.217)	13.2 (.520)	5.6 (.220)						
	3-4	3	1.25-M3.3			3.2 (.126)	6.6 (.260)	14.4 (.567)	6.3 (.248)						
	3-4	3	1.25-L3			3.2 (.126)	8.0 (.315)	15.8 (.622)	7.0 (.276)						
	5-6	3.5	1.25-3.7			3.7 (.146)	5.5 (.217)	11.5 (.453)	4.0 (.157)						
	5-6	3.5	1.25-P3.5			3.7 (.146)	5.5 (.217)	13.9 (.547)	6.3 (.248)						
	5-6	3.5	1.25-M3	R1.25-3.5		3.7 (.146)	6.6 (.260)	14.4 (.567)	6.3 (.248)						
	5-6	3.5	1.25-L3.7			3.7 (.146)	8.0 (.315)	15.8 (.622)	7.0 (.276)						
	8	4	1.25-M4			4.3 (.169)	6.6 (.260)	14.4 (.567)	6.3 (.248)						
	8	4	1.25-4	R1.25-4		4.3 (.169)	8.0 (.315)	15.8 (.622)	7.0 (.276)						
	10	5	1.25-5	R1.25-5		5.3 (.209)	8.0 (.315)	15.8 (.622)	7.0 (.276)						
	10	5	1.25-5NS			5.3 (.209)	9.0 (.354)	20.4 (.803)	11.1 (.437)						
	10	5	1.25-L5			5.3 (.209)	11.6 (.457)	21.7 (.854)	11.1 (.437)						
	1/4	6	1.25-6			6.4 (.252)	11.6 (.457)	21.7 (.854)	11.1 (.437)						
5/16	8	1.25-8		8.4 (.331)	11.6 (.457)	21.7 (.854)	11.1 (.437)								
3/8	9	1.25-9		9.8 (.386)	13.6 (.535)	25.5(1.004)	13.9 (.547)								
3/8	10	1.25-10		10.5 (.413)	13.6 (.535)	25.5(1.004)	13.9 (.547)								
1/2	12	1.25-12		13.0 (.512)	19.0 (.748)	31.0(1.220)	16.7 (.657)								
16 to 14 (1.04 to 2.63)	1-2	2	2-S2			2.2 (.087)	6.4 (.252)	12.3 (.484)	4.3 (.169)	4.8 (.189)	4.1 (.161)	2.3 (.091)	0.8 (.031)	YHT-2210 YA-1 YA-2 YA-4 BCT-0514L	1,000
	3-4	3	2-MS3			3.2 (.126)	5.5 (.217)	13.2 (.520)	5.6 (.220)						
	3-4	3	2-S3.3			3.2 (.126)	6.4 (.252)	12.3 (.484)	4.3 (.169)						
	3-4	3	2-M3.3			3.2 (.126)	6.6 (.260)	14.4 (.567)	6.3 (.248)						
	3-4	3	2-3			3.2 (.126)	8.5 (.335)	16.8 (.661)	7.8 (.307)						
	5-6	3.5	2-MS3.5			3.7 (.146)	5.5 (.217)	13.9 (.547)	6.3 (.248)						
	5-6	3.5	2-S3			3.7 (.146)	6.4 (.252)	12.3 (.484)	4.3 (.169)						
	5-6	3.5	2-M3	R2-3.5		3.7 (.146)	6.6 (.260)	14.4 (.567)	6.3 (.248)						
	5-6	3.5	2-P3.5			3.7 (.146)	7.0 (.276)	16.0 (.630)	7.7 (.303)						
	5-6	3.5	2-3.7			3.7 (.146)	8.5 (.335)	16.8 (.661)	7.8 (.307)						
	8	4	2-M4			4.3 (.169)	6.6 (.260)	14.4 (.567)	6.3 (.248)						
	8	4	2-P4			4.3 (.169)	7.0 (.276)	16.0 (.630)	7.7 (.303)						
	8	4	2-4	R2-4		4.3 (.169)	8.5 (.335)	16.8 (.661)	7.8 (.307)						
	10	5	2-M5			5.3 (.209)	8.5 (.335)	16.8 (.661)	7.8 (.307)						
	10	5	2-5NS			5.3 (.209)	9.0 (.354)	20.3 (.799)	11.0 (.433)						
	10	5	2-5	R2-5		5.3 (.209)	9.5 (.374)	16.8 (.661)	7.3 (.287)						
	1/4	6	2-6	R2-6		6.4 (.252)	12.0 (.472)	21.8 (.858)	11.0 (.433)						
	5/16	8	2-8	R2-8		8.4 (.331)	12.0 (.472)	21.8 (.858)	11.0 (.433)						
	3/8	9	2-9			9.8 (.386)	13.6 (.535)	25.5(1.004)	13.9 (.547)						
	3/8	10	2-10			10.5 (.413)	13.6 (.535)	25.5(1.004)	13.9 (.547)						
1/2	12	2-12		13.0 (.512)	19.0 (.748)	31.0(1.220)	16.7 (.675)								
1/2	14	2-14		15.0 (.591)	27.0(1.063)	39.5(1.555)	21.2 (.835)								
5/8	16	2-16		17.0 (.669)	27.0(1.063)	39.5(1.555)	21.2 (.835)								
3/4	20	2-20		21.0 (.827)	27.0(1.063)	39.5(1.555)	21.2 (.835)								

Note:1) Products with the JIS mark conform to JIS C2805.

2) The part numbers indicated in the above table are for products with a braze seam.

When ordering products with a nominal size of 0.5 to 5.5 with a butted seam, add the prefix "WS" to the part number (ex.2-4 -->**WS2-4**).

3) Delivery lead times may vary depending on the product. Contact JST for details.



Applicable Wire AWG#(mm ²)	Stud size		Part No.		Standard	Dimensions mm (in.)								Tool No.	Qty/box	
	American	Metric	JST	JIS		ϕd_2	B	L	F	E	ϕD	ϕd_1	T			
14 to 12 (3.5)	3-4	3	3.5-R3			3.2 (.126)	8.0 (.315)	17.8 (.707)	9.0 (.354)	4.8 (.189)	4.8 (.189)	2.7 (.106)	1.0 (.039)	YHT-2210 (Dies mark. 5) BCT-0514L	1,000	
	8	4	3.5-R4			4.3 (.169)	8.0 (.315)	17.8 (.707)	9.0 (.354)							
	8	4	3.5-4			4.3 (.169)	10.3 (.406)	18.6 (.732)	8.6 (.339)							
	10	5	3.5-R5			5.3 (.209)	8.0 (.315)	17.8 (.707)	9.0 (.354)							
	10	5	3.5-5			5.3 (.209)	10.3 (.406)	18.6 (.732)	8.6 (.339)							
12 to 10 (2.63 to 6.64)	3-4	3	5.5-S3.3			3.2 (.126)	7.2 (.283)	15.7 (.618)	5.9 (.232)	6.8 (.268)	5.6 (.220)	3.4 (.134)	1.0 (.039)	YHT-2210 YA-1 YA-2 YA-4 BCT-0514L	500	
	3-4	3	5.5-3			3.2 (.126)	9.5 (.374)	19.8 (.780)	8.3 (.327)							
	5-6	3.5	5.5-S3			3.7 (.146)	7.2 (.283)	15.7 (.618)	5.9 (.232)							
	5-6	3.5	5.5-3.7			3.7 (.146)	9.5 (.374)	19.8 (.780)	8.3 (.327)							
	8	4	5.5-S4			4.3 (.169)	7.2 (.283)	15.7 (.618)	5.9 (.232)							
	8	4	5.5-4NS			4.3 (.169)	8.0 (.315)	19.1 (.752)	8.3 (.327)							
	8	4	5.5-4	R5.5-4			4.3 (.169)	9.5 (.374)	19.8 (.780)							8.3 (.327)
	10	5	5.5-5NS				5.3 (.209)	8.0 (.315)	19.1 (.752)							8.3 (.327)
	10	5	5.5-5	R5.5-5			5.3 (.209)	9.5 (.374)	19.8 (.780)							8.3 (.327)
	10	5	5.5-S5				5.3 (.209)	13.2 (.520)	22.4 (.882)							9.0 (.354)
	1/4	6	5.5-6NS				6.4 (.252)	9.0 (.354)	24.3 (.957)							13.0 (.512)
	1/4	6	5.5-6	R5.5-6			6.4 (.252)	12.0 (.472)	25.8(1.016)							13.0 (.512)
	1/4	6	5.5-S6				6.4 (.252)	13.2 (.520)	22.4 (.882)							9.0 (.354)
	1/4	6	5.5-L6				6.4 (.252)	15.0 (.591)	28.0(1.102)							13.7 (.539)
	5/16	8	5.5-S8				8.4 (.331)	13.2 (.520)	22.4 (.882)							9.0 (.354)
	5/16	8	5.5-8	R5.5-8			8.4 (.331)	15.0 (.591)	28.0(1.102)							13.7 (.539)
	3/8	9	5.5-9				9.8 (.386)	15.0 (.591)	28.0(1.102)							13.7 (.539)
	3/8	10	5.5-10	R5.5-10			10.5 (.413)	15.0 (.591)	28.0(1.102)							13.7 (.539)
	1/2	12	5.5-12				13.0 (.512)	19.2 (.756)	32.4(1.276)							16.0 (.630)
	1/2	14	5.5-14				15.0 (.591)	32.0(1.260)	48.1(1.894)							25.3 (.996)
5/8	16	5.5-16			17.0 (.669)	32.0(1.260)	48.1(1.894)	25.3 (.996)								
11/16	18	5.5-18			19.0 (.748)	32.0(1.260)	48.1(1.894)	25.3 (.996)								
3/4	20	5.5-20			21.0 (.827)	32.0(1.260)	48.1(1.894)	25.3 (.996)								

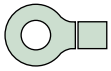
Note:1) Products with the JIS mark conform to JIS C2805.

2) The part numbers indicated in the above table are for products with a brazed seam.

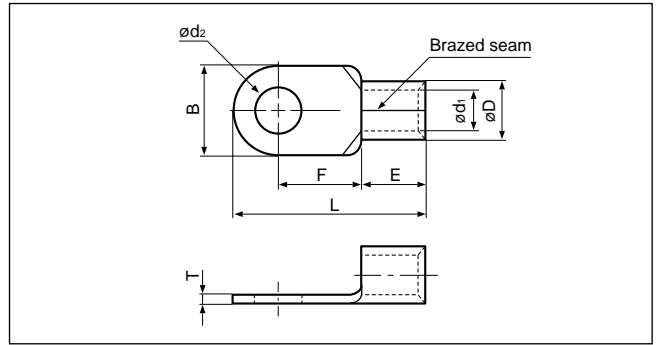
When ordering products with a nominal size of 0.5 to 5.5 with a butted seam, add the prefix "WS" to the part number (ex.5.5-4 → **WS5.5-4**).

3) Delivery lead times may vary depending on the product. Contact JST for details.

Solderless terminals

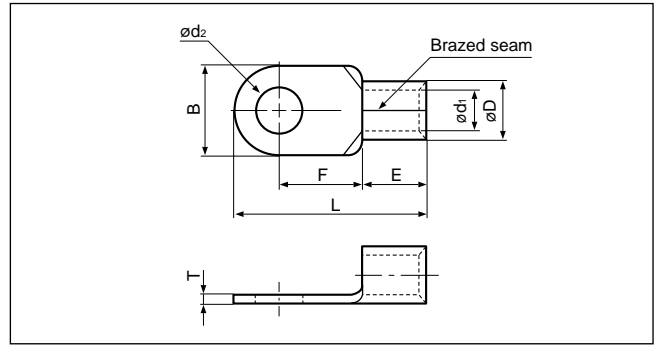
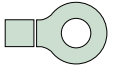


RING TONGUE (R type) Non-insulated



Applicable Wire AWG#(mm ²)	Stud size		Part No.		Standard	Dimensions mm (in.)							Tool No.	Qty/box															
	American	Metric	JST	JIS		ød ₂	B	L	F	E	øD	ød ₁			T														
8 (6.64 to 10.52)	8	4	8-NK4			4.3 (.169)	9.0 (.354)	16.5 (.650)	5.8 (.228)	6.2 (.244)	7.1 (.280)	4.5 (.177)	1.2 (.047)	YA-4 YPT-60N YF-1 YET-60-1 E-4 EP-1 (Note 2)	500														
	8	4	8-4NS			4.3 (.169)	8.0 (.315)	21.8 (.858)	9.3 (.366)	8.5 (.335)				YHT-8S YA-4, YA-5 YPT-60N YPT-150-1 BCT-0514L BCT-860N BCT-8150 YF-1 YET-60-1 E-4 YET-150-1 EP-1 YET-60-1	1,000														
	8	4	8-4			4.3 (.169)	12.0 (.472)	23.8 (.937)	9.3 (.366)	8.5 (.335)				8.5 (.335)	YA-4 YPT-60N YF-1 YET-60-1 E-4 EP-1 (Note 2)	500													
	10	5	8-NK5			5.3 (.209)	9.0 (.354)	16.5 (.650)	5.8 (.228)	6.2 (.244)						1,000													
	10	5	8-5NS			5.3 (.209)	9.0 (.354)	22.3 (.878)	9.3 (.366)	8.5 (.335)						YHT-8S YA-4 YA-5 YPT-60N YPT-150-1 BCT-0514L BCT-860N BCT-8150 YF-1 YET-60-1 E-4 YET-150-1 EP-1 YET-60-1	500												
	10	5	8-5	R8-5		5.3 (.209)	12.0 (.472)	23.8 (.937)	9.3 (.366)								500												
	10	5	8-L5NS			5.3 (.209)	9.0 (.354)	26.8(1.055)	13.8 (.543)								1,000												
	10	5	8-L5			5.3 (.209)	15.0 (.591)	29.8(1.173)	13.8 (.543)								500												
	1/4	6	8-6NS			6.4 (.252)	9.6 (.378)	22.6 (.890)	9.3 (.366)								8.5 (.335)	YHT-8S YA-4 YA-5 YPT-60N YPT-150-1 BCT-0514L BCT-860N BCT-8150 YF-1 YET-60-1 E-4 YET-150-1 EP-1 YET-60-1	1,000										
	1/4	6	8-6	R8-6		6.4 (.252)	12.0 (.472)	23.8 (.937)	9.3 (.366)										500										
	1/4	6	8-L6			6.4 (.252)	15.0 (.591)	29.8(1.173)	13.8 (.543)										1,000										
	5/16	8	8-8NS			8.4 (.331)	11.5 (.453)	28.1(1.106)	13.8 (.543)										8.5 (.335)	YHT-8S YA-4 YA-5 YPT-60N YPT-150-1 BCT-0514L BCT-860N BCT-8150 YF-1 YET-60-1 E-4 YET-150-1 EP-1 YET-60-1	500								
	5/16	8	8-8	R8-8		8.4 (.331)	15.0 (.591)	29.8(1.173)	13.8 (.543)												1,000								
	3/8	9	8-9			9.8 (.386)	15.0 (.591)	29.8(1.173)	13.8 (.543)												500								
	3/8	10	8-10	R8-10		10.5 (.413)	15.0 (.591)	29.8(1.173)	13.8 (.543)												8.5 (.335)	YHT-8S YA-4 YA-5 YPT-60N YPT-150-1 BCT-0514L BCT-860N BCT-8150 YF-1 YET-60-1 E-4 YET-150-1 EP-1 YET-60-1	500						
	3/8	10	8-L10			10.5 (.413)	20.0 (.787)	33.5(1.319)	15.0 (.591)														200						
	7/16	11	8-11			11.5 (.453)	20.0 (.787)	33.5(1.319)	15.0 (.591)														8.5 (.335)	YHT-8S YA-4 YA-5 YPT-60N YPT-150-1 BCT-0514L BCT-860N BCT-8150 YF-1 YET-60-1 E-4 YET-150-1 EP-1 YET-60-1	500				
	1/2	12	8-12			13.0 (.512)	20.0 (.787)	33.5(1.319)	15.0 (.591)																8.5 (.335)	YHT-8S YA-4 YA-5 YPT-60N YPT-150-1 BCT-0514L BCT-860N BCT-8150 YF-1 YET-60-1 E-4 YET-150-1 EP-1 YET-60-1	500		
	1/2	14	8-14			15.0 (.591)	31.6(1.244)	50.0(1.969)	25.7(1.012)																		8.5 (.335)	YHT-8S YA-4 YA-5 YPT-60N YPT-150-1 BCT-0514L BCT-860N BCT-8150 YF-1 YET-60-1 E-4 YET-150-1 EP-1 YET-60-1	500
	5/8	16	8-16			17.0 (.669)	31.6(1.244)	50.0(1.969)	25.7(1.012)																				8.5 (.335)
11/16	18	8-18			19.0 (.748)	31.6(1.244)	50.0(1.969)	25.7(1.012)	8.5 (.335)		YHT-8S YA-4 YA-5 YPT-60N YPT-150-1 BCT-0514L BCT-860N BCT-8150 YF-1 YET-60-1 E-4 YET-150-1 EP-1 YET-60-1	500																	
3/4	20	8-20			21.0 (.827)	31.6(1.244)	50.0(1.969)	25.7(1.012)				8.5 (.335)	YHT-8S YA-4 YA-5 YPT-60N YPT-150-1 BCT-0514L BCT-860N BCT-8150 YF-1 YET-60-1 E-4 YET-150-1 EP-1 YET-60-1																

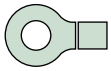
- Note:1) Products with the JIS mark conform to JIS C2805.
 2) Please use the die AD-901S for the pneumatic tool YA-4, and the die 8NK-6 for the hydraulic tools YPT-60N/YET-60-1.
 3) Delivery lead times may vary depending on the product. Contact JST for details.



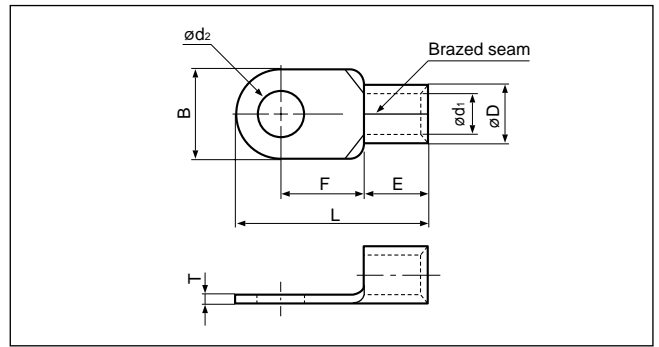
Applicable Wire AWG#(mm ²)	Stud size		Part No.		Standard	Dimensions mm (in.)							Tool No.	Qty/box	
	American	Metric	JST	JIS		ϕd_2	B	L	F	E	ϕD	ϕd_1			T
6 (10.52 to 16.78)	8	4	14-4			4.3 (.169)	12.0 (.472)	29.8(1.173)	13.3 (.524)	10.5 (.413)	9.0 (.354)	5.8 (.228)	1.5 (.059)	YA-4 YA-5 YPT-60N YPT-150-1 BCT-0514L BCT-860N BCT-8150 YF-1 YET-60-1 E-4 YET-150-1 EP-1 YET-60-1	200
	8	4	14-NK4		UL SF	4.3 (.169)	12.2 (.480)	23.0 (.906)	7.7 (.303)	9.2 (.362)					
	10	5	14-5NS			5.3 (.209)	9.0 (.354)	28.3(1.114)	13.3 (.524)	10.5 (.413)					
	10	5	14-5	R14-5	UL SF JIS	5.3 (.209)	12.0 (.472)	29.8(1.173)	13.3 (.524)	10.5 (.413)					
	10	5	14-NK5		UL SF	5.3 (.209)	12.2 (.480)	23.0 (.906)	7.7 (.303)	9.2 (.362)					
	1/4	6	14-6NS			6.4 (.252)	9.6 (.378)	28.6(1.126)	13.3 (.524)	10.5 (.413)					
	1/4	6	14-6	R14-6	UL SF JIS	6.4 (.252)	12.0 (.472)	29.8(1.173)	13.3 (.524)	10.5 (.413)					
	1/4	6	14-L6			6.4 (.252)	16.0 (.630)	32.8(1.291)	14.5 (.571)	10.5 (.413)					
	5/16	8	14-8NS		UL SF	8.4 (.331)	11.5 (.453)	30.8(1.213)	14.5 (.571)	10.5 (.413)					
	5/16	8	14-S8			8.4 (.331)	12.0 (.472)	31.0(1.220)	14.5 (.571)	10.5 (.413)					
	5/16	8	14-8	R14-8	UL SF JIS	8.4 (.331)	16.0 (.630)	32.8(1.291)	14.5 (.571)	10.5 (.413)					
	3/8	9	14-9		UL SF	9.8 (.386)	16.0 (.630)	32.8(1.291)	14.5 (.571)	10.5 (.413)					
	3/8	10	14-10	R14-10	UL SF JIS	10.5 (.413)	16.0 (.630)	32.8(1.291)	14.5 (.571)	10.5 (.413)					
	3/8	10	14-L10		UL SF	10.5 (.413)	22.0 (.866)	41.0(1.614)	19.5 (.739)	10.5 (.413)					
	7/16	11	14-11		UL SF	11.5 (.453)	22.0 (.866)	41.0(1.614)	19.5 (.739)	10.5 (.413)					
	1/2	12	14-12	R14-12	UL SF JIS	13.0 (.512)	22.0 (.866)	41.0(1.614)	19.5 (.739)	10.5 (.413)					
	1/2	14	14-14	R14-14	UL SF JIS	15.0 (.591)	30.0(1.181)	49.0(1.929)	23.5 (.925)	10.5 (.413)					
5/8	16	14-16			17.0 (.669)	31.6(1.244)	51.5(2.028)	25.2 (.992)	10.5 (.413)						
11/16	18	14-18		UL SF	19.0 (.748)	31.6(1.244)	51.5(2.028)	25.2 (.992)	10.5 (.413)						
3/4	20	14-20			21.0 (.827)	31.6(1.244)	51.5(2.028)	25.2 (.992)	10.5 (.413)						
4 (16.78 to 26.66)	10	5	22-5NS			5.3 (.209)	9.5 (.374)	28.7(1.130)	12.0 (.472)	12.0 (.472)	11.5 (.453)	7.7 (.303)	1.8 (.071)	YA-5 YPT-60N YPT-150-1 BCT-860N BCT-8150 YF-1 YET-60-1 E-4 YET-150-1 EP-1 YET-60-1	100
	10	5	22-S5		UL SF	5.3 (.209)	12.0 (.472)	30.0(1.181)	12.0 (.472)						
	10	5	22-5			5.3 (.209)	16.5 (.650)	33.7(1.327)	13.5 (.531)						
	1/4	6	22-S6			6.4 (.252)	12.0 (.472)	30.0(1.181)	12.0 (.472)						
	1/4	6	22-6	R22-6	UL SF JIS	6.4 (.252)	16.5 (.650)	33.7(1.327)	13.5 (.531)						
	5/16	8	22-S8		UL SF	8.4 (.331)	12.0 (.427)	30.0(1.181)	12.0 (.472)						
	5/16	8	22-8	R22-8	UL SF JIS	8.4 (.331)	16.5 (.650)	33.7(1.327)	13.5 (.531)						
	3/8	9	22-9		UL SF	9.8 (.386)	17.5 (.689)	36.7(1.445)	16.0 (.630)						
	3/8	10	22-S10		UL SF	10.5 (.413)	16.5 (.650)	33.7(1.327)	13.5 (.531)						
	3/8	10	22-10	R22-10	UL SF JIS	10.5 (.413)	17.5 (.689)	36.7(1.445)	16.0 (.630)						
	7/16	11	22-11		UL SF	11.5 (.453)	22.0 (.866)	42.5(1.673)	19.5 (.768)						
	1/2	12	22-12	R22-12	UL SF JIS	13.0 (.512)	22.0 (.866)	42.5(1.673)	19.5 (.768)						
	1/2	14	22-14	R22-14	UL SF JIS	15.0 (.591)	30.0(1.181)	51.5(2.038)	24.5 (.965)						
	5/8	16	22-16			17.0 (.669)	30.0(1.181)	51.5(2.028)	24.5 (.965)						
11/16	18	22-18		UL SF	19.0 (.748)	30.0(1.181)	51.5(2.028)	24.5 (.965)							
3/4	20	22-20			21.0 (.827)	30.0(1.181)	51.5(2.028)	24.5 (.965)							

Note:1) Products with the JIS mark conform to JIS C2805.
 2) Delivery lead times may vary depending on the product. Contact JST for details.

Solderless terminals

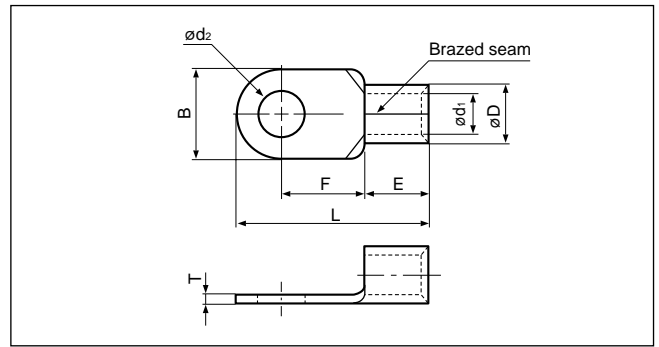
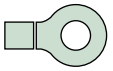


RING TONGUE (R type) Non-insulated



Applicable Wire AWG#(mm ²)	Stud size		Part No.		Standard	Dimensions mm (in.)								Tool No.	Qty/box
	American	Metric	JST	JIS		ød ₂	B	L	F	E	øD	ød ₁	T		
2 (26.66 to 42.42)	10	5	38-S5		UL SP	5.3 (.209)	15.5 (.610)	38.0(1.496)	16.0 (.630)	14.0 (.551)	13.3 (.524)	9.4 (.370)	1.8 (.071)	YA-5 YPT-60N YPT-150-1 BCT-860N BCT-8150 YF-1 YET-60-1 E-4 YET-150-1 EP-1 YET-60-1	100
	10	5	38-5			5.3 (.209)	22.0 (.866)	42.7(1.681)	17.7 (.697)						
	1/4	6	38-S6			6.4 (.252)	15.5 (.610)	38.0(1.496)	16.0 (.630)						
	1/4	6	38-6			6.4 (.252)	22.0 (.866)	42.7(1.681)	17.7 (.697)						
	5/16	8	38-S8			8.4 (.331)	15.5 (.610)	38.0(1.496)	16.0 (.630)						
	5/16	8	38-8	R38-8	UL SP JIS	8.4 (.331)	22.0 (.866)	42.7(1.681)	17.7 (.697)						
	5/16	8	38-L8		UL SP	8.4 (.331)	30.0(1.181)	52.5(2.067)	23.5 (.925)						
	3/8	9	38-9			9.8 (.386)	22.0 (.866)	42.7(1.681)	17.7 (.697)						
	3/8	9	38-S9			9.8 (.386)	27.0(1.063)	38.0(1.496)	16.0 (.630)						
	3/8	10	38-S10		UL SP JIS	10.5 (.413)	15.5 (.610)	38.0(1.496)	16.0 (.630)						
	3/8	10	38-10	R38-10		10.5 (.413)	22.0 (.866)	42.7(1.681)	17.7 (.697)						
	3/8	10	38-L10		UL SP	10.5 (.413)	30.0(1.181)	52.5(2.067)	23.5 (.925)						
	7/16	11	38-11		UL SP	11.5 (.453)	22.0 (.866)	42.7(1.681)	17.7 (.697)						
	1/2	12	38-12	R38-12	UL SP JIS	13.0 (.512)	22.0 (.866)	42.7(1.681)	17.7 (.697)						
	1/2	14	38-14	R38-14	UL SP JIS	15.0 (.591)	30.0(1.181)	52.5(2.067)	23.5 (.925)						
5/8	16	38-16		UL SP	17.0 (.669)	30.0(1.181)	52.5(2.067)	23.5 (.925)							
11/16	18	38-18			19.0 (.748)	30.0(1.181)	52.5(2.067)	23.5 (.925)							
3/4	20	38-20		UL SP	21.0 (.827)	30.0(1.181)	52.5(2.067)	23.5 (.925)							
1/0 (42.42 to 60.57)	-	-	60-S0		UL SP	-	22.0 (.866)	49.7(1.957)	20.7 (.815)	18.0 (.709)	15.5 (.610)	11.4 (.449)	2.0 (.079)	YA-5 YPT-60N YPT-150-1 BCT-860N BCT-8150 YF-1 YET-60-1 E-4 YET-150-1 YET-300-1 YET-300N EP-1 YET-60-1	50
	1/4	6	60-S6		UL	6.4 (.252)	16.0 (.630)	46.7(1.839)	20.7 (.815)						
	1/4	6	60-6		UL SP	6.4 (.252)	22.0 (.866)	49.7(1.957)	20.7 (.815)						
	5/16	8	60-S8		UL SP	8.4 (.331)	16.0 (.630)	46.7(1.839)	20.7 (.815)						
	5/16	8	60-8	R60-8	UL SP JIS	8.4 (.331)	22.0 (.866)	49.7(1.957)	20.7 (.815)						
	3/8	9	60-9		UL SP	9.8 (.386)	22.0 (.866)	49.7(1.957)	20.7 (.815)						
	3/8	10	60-S10		UL SP JIS	10.5 (.413)	16.0 (.630)	46.7(1.839)	20.7 (.815)						
	3/8	10	60-10	R60-10		10.5 (.413)	22.0 (.866)	49.7(1.957)	20.7 (.815)						
	7/16	11	60-11		UL SP	11.5 (.453)	22.0 (.866)	49.7(1.957)	20.7 (.815)						
	1/2	12	60-12	R60-12	UL SP JIS	13.0 (.512)	22.0 (.866)	49.7(1.957)	20.7 (.815)						
	1/2	14	60-14	R60-14	UL SP JIS	15.0 (.591)	32.0(1.260)	57.5(2.264)	23.5 (.925)						
5/8	16	60-16		UL SP	17.0 (.669)	32.0(1.260)	57.5(2.264)	23.5 (.925)							
11/16	18	60-18			19.0 (.748)	32.0(1.260)	57.5(2.264)	23.5 (.925)							
3/4	20	60-20			21.0 (.827)	32.0(1.260)	57.5(2.264)	23.5 (.925)							
7/8	22	60-22		UL SP	23.0 (.906)	32.0(1.260)	57.5(2.264)	23.5 (.925)							
2/0 (60.57 to 76.28)	1/4	6	70-6		UL SP	6.4 (.252)	24.0 (.945)	51.0(2.008)	20.0 (.787)	19.0 (.748)	17.5 (.689)	13.3 (.524)	2.0 (.079)	YPT-150-1 BCT-8150 YF-1 YET-150-1 E-4 YET-300-1 YET-300N	25
	5/16	8	70-8			8.4 (.331)	24.0 (.945)	51.0(2.008)	20.0 (.787)						
	3/8	9	70-9			9.8 (.386)	24.0 (.945)	51.0(2.008)	20.0 (.787)						
	3/8	10	70-10			10.5 (.413)	24.0 (.945)	51.0(2.008)	20.0 (.787)						
	7/16	11	70-11			11.5 (.453)	24.0 (.945)	51.0(2.008)	20.0 (.787)						
	1/2	12	70-12			13.0 (.512)	24.0 (.945)	51.0(2.008)	20.0 (.787)						
	1/2	14	70-14			15.0 (.591)	32.0(1.260)	61.0(2.402)	26.0(1.024)						
	5/8	16	70-16			17.0 (.669)	32.0(1.260)	61.0(2.402)	26.0(1.024)						
	11/16	18	70-18			19.0 (.748)	32.0(1.260)	61.0(2.402)	26.0(1.024)						
	3/4	20	70-20			21.0 (.827)	32.0(1.260)	61.0(2.402)	26.0(1.024)						
	7/8	22	70-22			23.0 (.906)	32.0(1.260)	61.0(2.402)	26.0(1.024)						

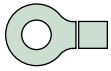
Note: 1) Products with the JIS mark conform to JIS C2805.
 2) Part numbers containing "S0" do not have stud holes.
 3) Delivery lead times may vary depending on the product. Contact JST for details.



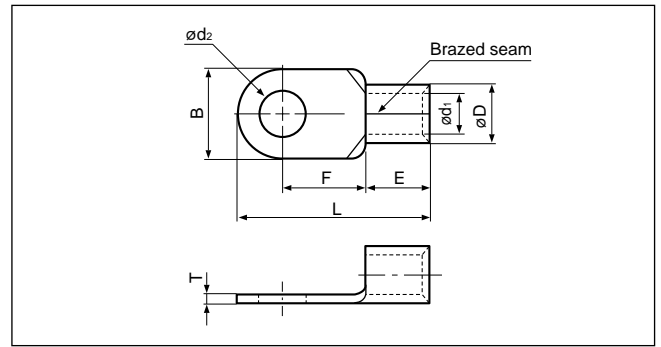
Applicable Wire AWG#(mm ²)	Stud size		Part No.		Standard	Dimensions mm (in.)								Tool No.	Qty/box
	American	Metric	JST	JIS		ϕd_2	B	L	F	E	ϕD	ϕd_1	T		
3/0 (76.28 to 96.3)	-	-	80-S0		UL CSA JIS	-	27.0(1.063)	54.2(2.134)	20.7 (.815)	20.0 (.787)	19.5 (.768)	14.5 (.571)	2.3 (.091)	YPT-150-1 BCT-8150 YF-1 YET-150-1 E-4 YET-300-1 YET-300N	25
	1/4	6	80-6			6.4 (.252)	27.0(1.063)	54.2(2.134)	20.7 (.815)						
	5/16	8	80-8			8.4 (.331)	27.0(1.063)	54.2(2.134)	20.7 (.815)						
	5/16	8	80-L8			8.4 (.331)	32.0(1.260)	68.0(2.677)	32.0(1.260)						
	3/8	9	80-9			9.8 (.386)	27.0(1.063)	54.2(2.134)	20.7 (.815)						
	3/8	10	80-10			10.5 (.413)	27.0(1.063)	54.2(2.134)	20.7 (.815)						
	3/8	10	80-L10			10.5 (.413)	32.0(1.260)	68.0(2.677)	32.0(1.260)						
	7/16	11	80-11			11.5 (.453)	27.0(1.063)	54.2(2.134)	20.7 (.815)						
	1/2	12	80-12			13.0 (.512)	27.0(1.063)	54.2(2.134)	20.7 (.815)						
	1/2	12	80-L12			13.0 (.512)	32.0(1.260)	68.0(2.677)	32.0(1.260)						
	1/2	14	80-14			15.0 (.591)	32.0(1.260)	68.0(2.677)	32.0(1.260)						
	5/8	16	80-16			17.0 (.669)	32.0(1.260)	68.0(2.677)	32.0(1.260)						
	11/16	18	80-18			19.0 (.748)	32.0(1.260)	68.0(2.677)	32.0(1.260)						
	3/4	20	80-20			21.0 (.827)	32.0(1.260)	68.0(2.677)	32.0(1.260)						
4/0 (96.3 to 117.2)	-	-	100-S0		UL CSA JIS	-	28.5(1.122)	55.6(2.189)	20.4 (.803)	21.0 (.827)	22.3 (.878)	16.4 (.646)	2.6 (.102)	YPT-150-1 BCT-8150 YF-1 YET-150-1 E-4 YET-300-1 YET-300N	25
	-	-	100-L0			-	32.0(1.260)	69.0(2.717)	32.0(1.260)						
	1/4	6	100-6			6.4 (.252)	28.5(1.122)	55.6(2.189)	20.4 (.803)						
	5/16	8	100-8			8.4 (.331)	28.5(1.122)	55.6(2.189)	20.4 (.803)						
	5/16	8	100-L8			8.4 (.331)	32.0(1.260)	69.0(2.717)	32.0(1.260)						
	3/8	9	100-9			9.8 (.386)	28.5(1.122)	55.6(2.189)	20.4 (.803)						
	3/8	10	100-10	R100-10		10.5 (.413)	28.5(1.122)	55.6(2.189)	20.4 (.803)						
	3/8	10	100-L10			10.5 (.413)	32.0(1.260)	69.0(2.717)	32.0(1.260)						
	7/16	11	100-11			11.5 (.453)	28.5(1.122)	55.6(2.189)	20.4 (.803)						
	1/2	12	100-12	R100-12		13.0 (.512)	28.5(1.122)	55.6(2.189)	20.4 (.803)						
	1/2	12	100-L12			13.0 (.512)	32.0(1.260)	69.0(2.717)	32.0(1.260)						
	1/2	14	100-14	R100-14		15.0 (.591)	32.0(1.260)	69.0(2.717)	32.0(1.260)						
	5/8	16	100-16	R100-16		17.0 (.669)	32.0(1.260)	69.0(2.717)	32.0(1.260)						
	11/16	18	100-18	R100-18		19.0 (.748)	32.0(1.260)	69.0(2.717)	32.0(1.260)						
3/4	20	100-20	R100-20	21.0 (.827)	32.0(1.260)	69.0(2.717)	32.0(1.260)								
7/8	22	100-22		23.0 (.906)	32.0(1.260)	69.0(2.717)	32.0(1.260)								

Note:1) Products with the JIS mark (JIS) conform to JIS C2805.
 2) Part numbers containing "S0" or "L0" do not have stud holes.
 3) Delivery lead times may vary depending on the product. Contact JST for details.

Solderless terminals

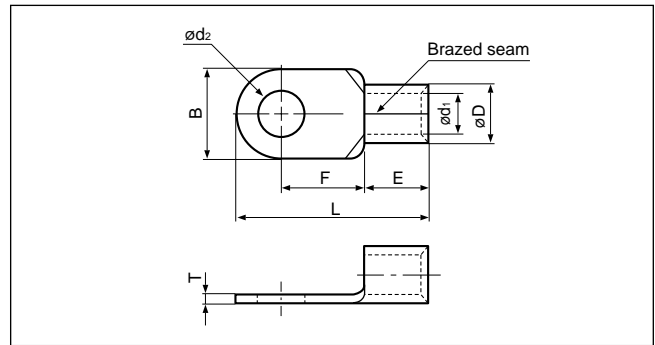
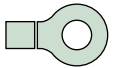


RING TONGUE (R type) Non-insulated



Applicable Wire AWG#(mm ²)	Stud size		Part No.	Standard	Dimensions mm (in.)								Tool No.	Qty/box	
	American	Metric			ϕd_2	B	L	F	E	ϕD	ϕd_1	T			
250/300 (117.2 to 152.05)	-	-	150-S0	UL ULITE SF	-	36.0(1.417)	66.0(2.600)	23.0 (.906)	27.0 (1.063)	26.5 (1.043)	19.5 (.768)	3.2 (.126)	YPT-150-1 BCT-8150 YF-1 YET-150-1 E-4 YET-300-1 YET-300N	20	
	-	-	150-L0		-	36.0(1.417)	81.0(3.189)	36.0(1.417)							
	1/4	6	150-6		6.4 (.252)	36.0(1.417)	66.0(2.600)	23.0 (.906)							
	5/16	8	150-8		8.4 (.331)	36.0(1.417)	66.0(2.600)	23.0 (.906)							
	5/16	8	150-L8		8.4 (.331)	36.0(1.417)	81.0(3.189)	36.0(1.417)							
	3/8	9	150-9		9.8 (.386)	36.0(1.417)	66.0(2.600)	23.0 (.906)							
	3/8	10	R150-10		UL ULITE SF JIS	10.5 (.413)	36.0(1.417)	66.0(2.600)							21.0 (.827)
	3/8	10	150-10		10.5 (.413)	36.0(1.417)	66.0(2.600)	23.0 (.906)							
	3/8	10	150-L10		UL ULITE SF	10.5 (.413)	36.0(1.417)	81.0(3.189)							36.0(1.417)
	7/16	11	150-11		11.5 (.453)	36.0(1.417)	66.0(2.600)	23.0 (.906)							
	1/2	12	R150-12	UL ULITE SF JIS	13.0 (.512)	36.0(1.417)	66.0(2.600)	21.0 (.827)							
	1/2	12	150-12	UL ULITE SF	13.0 (.512)	36.0(1.417)	66.0(2.600)	23.0 (.906)							
	1/2	12	150-L12	UL ULITE SF	13.0 (.512)	36.0(1.417)	81.0(3.189)	36.0(1.417)							
	1/2	14	R150-14	UL ULITE SF JIS	15.0 (.591)	36.0(1.417)	68.0(2.677)	23.0 (.906)							
	5/8	16	150-16	UL ULITE SF	17.0 (.669)	36.0(1.417)	66.0(2.600)	23.0 (.906)							
	5/8	16	R150-16	UL ULITE SF JIS	17.0 (.669)	36.0(1.417)	68.0(2.677)	23.0 (.906)							
	5/8	16	150-L16	UL ULITE SF	17.0 (.669)	36.0(1.417)	81.0(3.189)	36.0(1.417)							
	11/16	18	R150-18	UL ULITE SF JIS	19.0 (.748)	36.0(1.417)	81.0(3.189)	36.0(1.417)							
	3/4	20	R150-20	UL ULITE SF JIS	21.0 (.827)	36.0(1.417)	81.0(3.189)	36.0(1.417)							
	7/8	22	150-22	23.0 (.906)	36.0(1.417)	81.0(3.189)	36.0(1.417)								
15/16	24	150-24	UL ULITE SF	25.0 (.984)	36.0(1.417)	81.0(3.189)	36.0(1.417)								
1	27	150-27	UL ULITE SF	28.0(1.102)	36.0(1.417)	81.0(3.189)	36.0(1.417)								
350 (152.05 to 192.60)	-	-	180-S0	UL ULITE SF	-	38.5(1.516)	69.0(2.717)	24.5 (.965)	28.5 (1.122)	28.5 (1.122)	21.0 (.827)	3.5 (.138)	YF-1 YET-300-1 E-4 YET-300N	20	
	-	-	180-L0		-	38.5(1.516)	86.8(3.417)	39.0(1.535)							
	5/16	8	180-8		8.4 (.331)	38.5(1.516)	69.0(2.717)	24.5 (.965)							
	5/16	8	180-L8		8.4 (.331)	38.5(1.516)	86.8(3.417)	39.0(1.535)							
	3/8	10	180-10		10.5 (.413)	38.5(1.516)	69.0(2.717)	24.5 (.965)							
	3/8	10	180-L10		10.5 (.413)	38.5(1.516)	86.8(3.417)	39.0(1.535)							
	7/16	11	180-11		11.5 (.453)	38.5(1.516)	69.0(2.717)	24.5 (.965)							
	1/2	12	180-12		13.0 (.512)	38.5(1.516)	69.0(2.717)	24.5 (.965)							
	1/2	12	180-L12		13.0 (.512)	38.5(1.516)	86.8(3.417)	39.0(1.535)							
	1/2	14	180-14		15.0 (.591)	38.5(1.516)	69.0(2.717)	24.5 (.965)							
	5/8	16	180-L16		17.0 (.669)	38.5(1.516)	86.8(3.417)	39.0(1.535)							
	5/8	16	180-16		17.0 (.669)	38.5(1.516)	69.0(2.717)	24.5 (.965)							
	11/16	18	180-18		19.0 (.748)	38.5(1.516)	86.8(3.417)	39.0(1.535)							
	3/4	20	180-20		21.0 (.827)	38.5(1.516)	86.8(3.417)	39.0(1.535)							
	7/8	22	180-22		23.0 (.906)	38.5(1.516)	86.8(3.417)	39.0(1.535)							
	15/16	24	180-24		25.0 (.984)	38.5(1.516)	86.8(3.417)	39.0(1.535)							
	1	27	180-27		28.0(1.102)	38.5(1.516)	86.8(3.417)	39.0(1.535)							

- Note:1) Products with the JIS mark conform to JIS C2805.
 2) Part numbers containing "S0" or "L0" do not have stud holes.
 3) Delivery lead times may vary depending on the product. Contact JST for details.



Applicable Wire AWG#(mm ²)	Stud size		Part No.	Standard	Dimensions mm (in.)								Tool No.	Qty/box	
	American	Metric			ϕd_2	B	L	F	E	ϕD	ϕd_1	T			
400 (192.60 to 242.27)	-	-	200-S0	UL CSF JIS	-	44.0(1.732)	72.0(2.835)	24.5 (.965)	31.5 (1.240)	32.7 (1.287)	24.0 (.945)	4.0 (.157)	YF-1 YET-300-1 E-4 YET-300N	10	
	-	-	200-L0		-	44.0(1.732)	91.0(3.583)	37.5(1.476)							
	12/16	8	200-8		8.4 (.331)	44.0(1.732)	72.0(2.835)	24.5 (.965)							
	5/16	8	200-L8		8.4 (.331)	44.0(1.732)	91.0(3.583)	37.5(1.476)							
	3/8	9	200-9		9.8 (.386)	44.0(1.732)	72.0(2.835)	24.5 (.965)							
	3/8	10	200-10		10.5 (.413)	44.0(1.732)	72.0(2.835)	24.5 (.965)							
	3/8	10	200-L10		10.5 (.413)	44.0(1.732)	91.0(3.583)	37.5(1.476)							
	7/16	11	200-11		11.5 (.453)	44.0(1.732)	72.0(2.835)	24.5 (.965)							
	1/2	12	200-12		13.0 (.512)	44.0(1.732)	72.0(2.835)	24.5 (.965)							
	1/2	12	R200-12		UL CSF JIS	13.0 (.512)	44.0(1.732)	78.0(3.071)							24.5 (.965)
	1/2	12	200-L12		UL CSF	13.0 (.512)	44.0(1.732)	91.0(3.583)							37.5(1.476)
	1/2	14	200-14		UL CSF	15.0 (.591)	44.0(1.732)	72.0(2.835)							24.5 (.965)
	1/2	14	R200-14		UL CSF JIS	15.0 (.591)	44.0(1.732)	78.0(3.071)							24.5 (.965)
	5/8	16	200-16		UL CSF	17.0 (.669)	44.0(1.732)	72.0(2.835)							24.5 (.965)
	5/8	16	R200-16		UL CSF JIS	17.0 (.669)	44.0(1.732)	78.0(3.071)							24.5 (.965)
	5/8	16	200-L16		UL CSF	17.0 (.669)	44.0(1.732)	91.0(3.583)							37.5(1.476)
	11/16	18	R200-18		UL CSF JIS	19.0 (.748)	44.0(1.732)	91.0(3.583)							37.5(1.476)
	3/4	20	R200-20		UL CSF JIS	21.0 (.827)	44.0(1.732)	91.0(3.583)							37.5(1.476)
	7/8	22	R200-22		UL CSF JIS	23.0 (.906)	44.0(1.732)	91.0(3.583)							37.5(1.476)
15/16	24	R200-24	UL CSF JIS	25.0 (.984)	44.0(1.732)	91.0(3.583)	37.5(1.476)								
1	27	R200-27	UL CSF JIS	28.0(1.102)	44.0(1.732)	91.0(3.583)	37.5(1.476)								
N.A. (250)	1/2	12	250-12		13.0 (.512)	44.0(1.732)	78.0(3.071)	24.5 (.965)	31.5 (1.240)	35.6 (1.402)	26.0 (1.024)	4.5 (.177)	YF-1 E-4 YET-300-1		
	1/2	14	250-14		15.0 (.591)										
	5/8	16	250-16		17.0 (.669)										
600/650 (242.27 to 325)	-	-	325-S0	UL CSF JIS	-	50.5(1.988)	88.0(3.465)	33.5(1.319)	35.5 (1.398)	37.6 (1.480)	28.0 (1.102)	4.5 (.177)	YF-1 YET-300-1 E-4 YET-300N	5	
	-	-	325-L0		-	50.5(1.988)	105.7(4.161)	45.0(1.772)							
	12/16	8	325-8		8.4 (.331)	50.5(1.988)	88.0(3.465)	33.5(1.319)							
	5/16	8	325-L8		8.4 (.331)	50.5(1.988)	105.7(4.161)	45.0(1.772)							
	3/8	10	325-10		10.5 (.413)	50.5(1.988)	88.0(3.465)	33.5(1.319)							
	3/8	10	325-L10		10.5 (.413)	50.5(1.988)	105.7(4.161)	45.0(1.772)							
	7/16	11	325-11		11.5 (.453)	50.5(1.988)	88.0(3.465)	33.5(1.319)							
	1/2	12	325-12		13.0 (.512)	50.5(1.988)	88.0(3.465)	33.5(1.319)							
	1/2	12	325-L12		13.0 (.512)	50.5(1.988)	105.7(4.161)	45.0(1.772)							
	1/2	14	325-14		15.0 (.591)	50.5(1.988)	88.0(3.465)	33.5(1.319)							
	5/8	16	325-16		17.0 (.669)	50.5(1.988)	88.0(3.465)	33.5(1.319)							
	5/8	16	R325-16		UL CSF JIS	17.0 (.669)	50.5(1.988)	94.2(3.709)							33.5(1.319)
	5/8	16	325-L16		UL CSF	17.0 (.669)	50.5(1.988)	105.7(4.161)							45.0(1.772)
	11/16	18	325-M18		UL CSF	19.0 (.748)	50.5(1.988)	94.2(3.709)							33.5(1.319)
	11/16	18	R325-18		UL CSF JIS	19.0 (.748)	50.5(1.988)	105.7(4.161)							45.0(1.772)
	3/4	20	R325-20		UL CSF JIS	21.0 (.827)	50.5(1.988)	105.7(4.161)							45.0(1.772)
	7/8	22	R325-22		UL CSF JIS	23.0 (.906)	50.5(1.988)	105.7(4.161)							45.0(1.772)
	15/16	24	R325-24		UL CSF JIS	25.0 (.984)	50.5(1.988)	105.7(4.161)							45.0(1.772)
	1	27	R325-27		UL CSF JIS	28.0(1.102)	50.5(1.988)	105.7(4.161)							45.0(1.772)

Note:1) Products with the JIS mark (JIS) conform to JIS C2805.
 2) Part numbers containing "S0" or "L0" do not have stud holes.
 3) Delivery lead times may vary depending on the product. Contact JST for details.