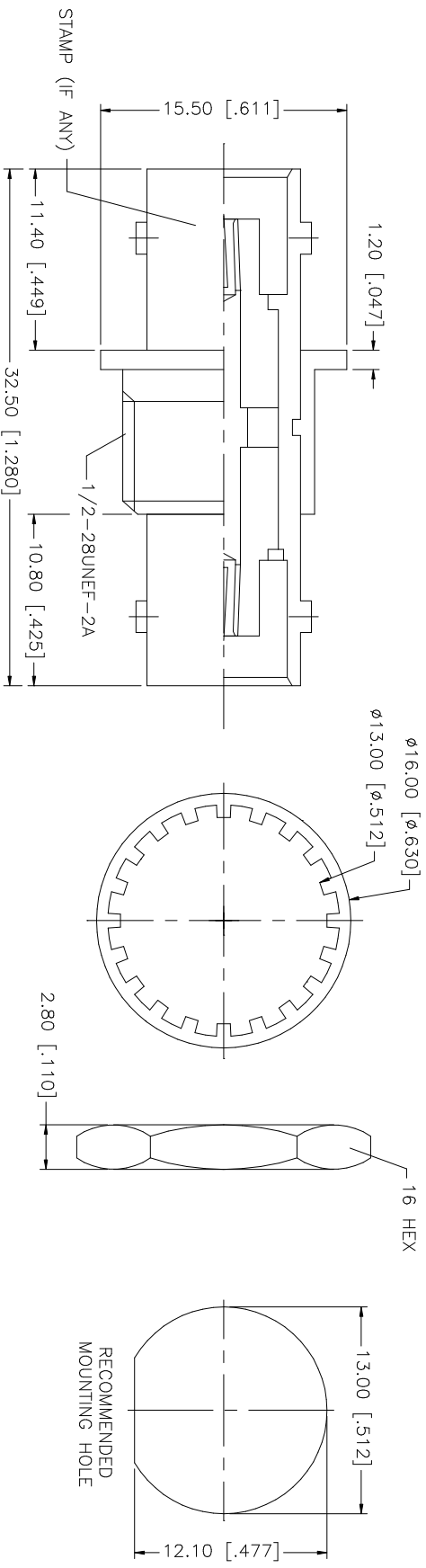


REV.	DATE	DESCRIPTION
A	04/05/03	UPDATE DRAWING FORMAT



NOTE:
1. MAX. PANEL THICKNESS = 5.5mm

QTY	FINISH	MATERIAL	DESCRIPTION
1	NICKEL	BRASS	HEX NUT
1	NICKEL	BRASS	LOCK WASHER
1	NICKEL	BRASS	LOCK RING
1	GOLD	PHOS. BRONZE	CONTACT PIN
1	NATURAL	DELIN	INSULATOR
1	WHITE	DELIN	INSULATOR
1	NICKEL	BRASS	BODY

UNLESS OTHERWISE SPECIFIED DIMENSIONS ARE IN INCHES AND FOR CUSTOMER REFERENCE ONLY.	UNLESS OTHERWISE SPECIFIED DIMENSIONS ARE IN MILLIMETERS PER ISO 2768-M.
0.5 - 8mm ± 0.20mm	0.5 - 8mm ± 0.20mm
8 - 30mm ± 0.40mm	8 - 30mm ± 0.40mm
30 - 120mm ± 0.50mm	30 - 120mm ± 0.50mm

UNLESS OTHERWISE SPECIFIED DIMENSIONS FOR INCH ARE:	UNLESS OTHERWISE SPECIFIED DIMENSIONS FOR MILLIMETERS ARE:
.020 - .315 = ± 0.007"	.020 - .315 = ± 0.007"
.315 - 1.180 = ± 0.015"	.315 - 1.180 = ± 0.015"
1.180 - 4.724 = ± 0.020"	1.180 - 4.724 = ± 0.020"

APPROVALS	DATE
DRAWN G.R.S.	04/05/03
CHECKED	
ISSUED	

PART NO.	PART DESCRIPTION
112443	BNC FEMALE TO FEMALE BULKHEAD ISOLATED ADAPTER - 50 ohm

CAD FILE	DWG. NO.	REV.	SIZE	SCALE
C:/112/112443.DWG	112443.DWG	A	A	NA

Amphenol **Comnex**