

## Heyco® Nytye® Mounting Platforms

### Push Mount Platforms

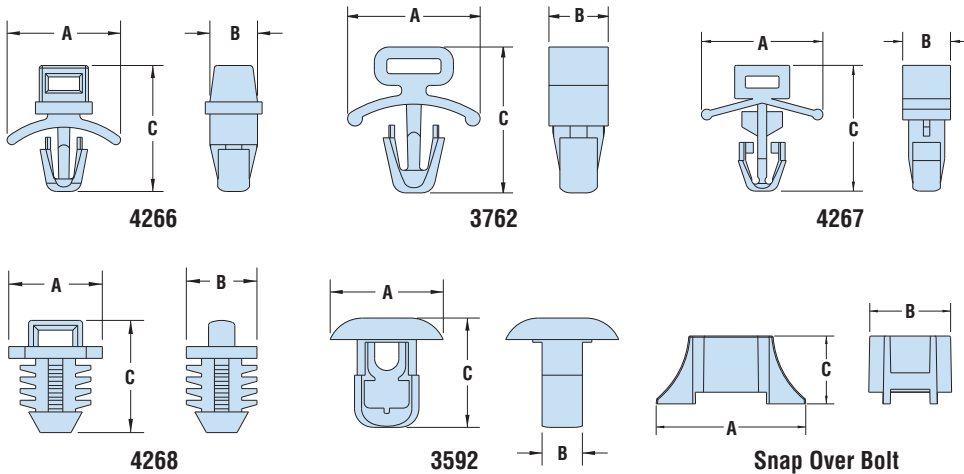
MAX. TENSILE STRENGTH	MOUNTING HOLE DIA.	MAX. PANEL THICKNESS*		INSERT POINTS	PART NO.	DESCRIPTION	PART DIMENSIONS							
		Lbs.	N				in.	mm.	A		B		C	
<b>Arrowhead Mount</b>														
50	222	.19	4,8	.08	2,0	2	<b>4266</b>	MP PM-19	.56	14,3	.24	6,1	.63	15,9
		.25	6,4	.11	2,8	2	<b>3762</b>	MP PM-25	.63	15,9	.28	7,1	.69	17,5
		.26	6,7	.35	9,0	2	<b>4267</b>	MP PM-26	.80	20,2	.31	7,9	.82	20,9
<b>Blind Head Mount*</b>														
40	178	.31	7,9	.25	6,4	2	<b>4268</b>	MP PMB-31	.43	11,0	.33	8,3	.52	13,1
<b>Reverse Button Mount</b>														
50	222	.25	6,4	.13	3,2	2	<b>3592</b>	MP R-2	.42	10,7	.15	3,8	.41	10,3

\*Minimum Panel Thickness for Blind Mount Platforms

### Snap Over Bolt Platform

MAX. TENSILE STRENGTH	INSERT POINTS	BOLT SIZE		PART NO.	DESCRIPTION	PART DIMENSIONS								
		Lbs.	N			in.	mm.	A		B		C		
<b>NEW!</b> <b>NEW!</b> 120	534	2	1/2	12,0	<b>3710</b>	MP S-1/2	2.31	58,7	1.25	31,8	1.05	26,7		
			9/16	14,0									<b>3711</b>	MP S-9/16
			5/8	16,0										

Standard color black.



### Stainless Steel Edge Clip Platform

**ALL NEW PRODUCTS**

MAX. CABLE TIE WIDTH*	PANEL THICKNESS RANGE		INSERT POINTS	PART NO.	DESCRIPTION	PART DIMENSIONS								
	in.	mm.				Minimum	Maximum	A		B		C		
.31	8,0	.06	1,5	.12	3,0	4	<b>S6474</b>	SunRunner CT	1.03	26,2	.63	16,0	.77	19,5
		.12	3,0	.25	6,4									

\*Edge Clip Platforms SunRunner CT and CT-EZ fit all Heyco Stainless Steel Cable Ties, see page 7-69

Material .025" Thick 304 stainless steel (CT & CT-EZ)  
 Certifications Certified by UL for Compliance with both Canadian and US Requirements under File E54523



- Multiple sizes, strengths, and mounting options anchor Nytyes® securely.
- Five Types:
  - 1) Flat - Adhesive-Back and Screw Mounts
  - 2) Saddle - Screw Mount only
  - 3) Push Mount - Arrowhead and Blind Mounts
  - 4) Snap Over Bolt
  - 5) Stainless Steel Clip
- Rubber based adhesive effective up to 126°F (52°C).
- Apply Adhesive-Backed parts to a clean, dry surface.
- For Push Mount and Snap Over Bolt Platform Quick Specs, see page 7-68.

