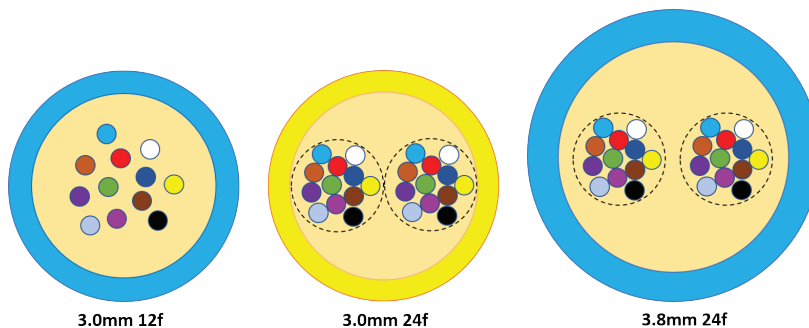
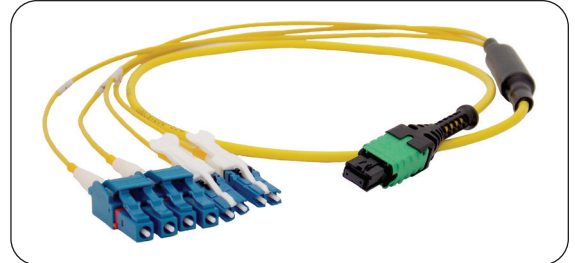




3.0mm & 3.8mm Backbone Fanout Cables

Backbone Fanout Cables by Cablcon are a Cutting EDGE® line of robust, low-profile fiber optic assemblies aimed at protecting the integrity of your cables during the installation of longer runs. Available from 8-24 fibers, the plenum-rated cable has a GR-409 Horizontal Backbone rating, yielding 4 times the pull strength of a standard interconnect while remaining highly flexible. Backbone Fanout Cables are ideal for any fanout or jumper of 50ft or more, and is recommended anywhere a pulling eye is needed.



Cablcon fiber optic assemblies are American-made at each of our ISO 9001 and TL 9000-certified facilities. Our products meet or exceed GR-326/GR-1435 as well as the IEC standard for end-face cleanliness. We specialize in quick-turn, custom length manufacturing.

APPLICATIONS

- Long-length connections in Data Centers/Central Offices/C-RAN, iEN, MEC Hubs
- Transceiver Fanouts
- Versatile cable design suitable for a wide range of use

FEATURES

- Tensile strength of 100lbf (12f) or 150lbf (24f), compared to 22lbf in traditional patch cord.
- Nearly 3 times the crush resistance of an interconnect cable for better performance in cable trays
- Available with OS2 singlemode (G657.A2) or OM4 Multimode fiber
- Assemblies meet or exceed the optical performance standards set forth in GR-326 and GR-1435

DALLAS • DETROIT

Corporate Offices: 359 Robbins Drive • Troy, MI 48083
Phone: 888.8.CABLCON • Fax: 248.588.1462 • www.cablcon.com

TL9000

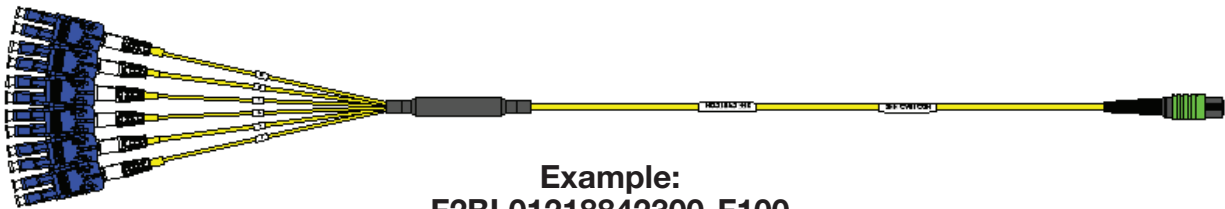


**3.0mm & 3.8mm
Backbone Fanout Cables**

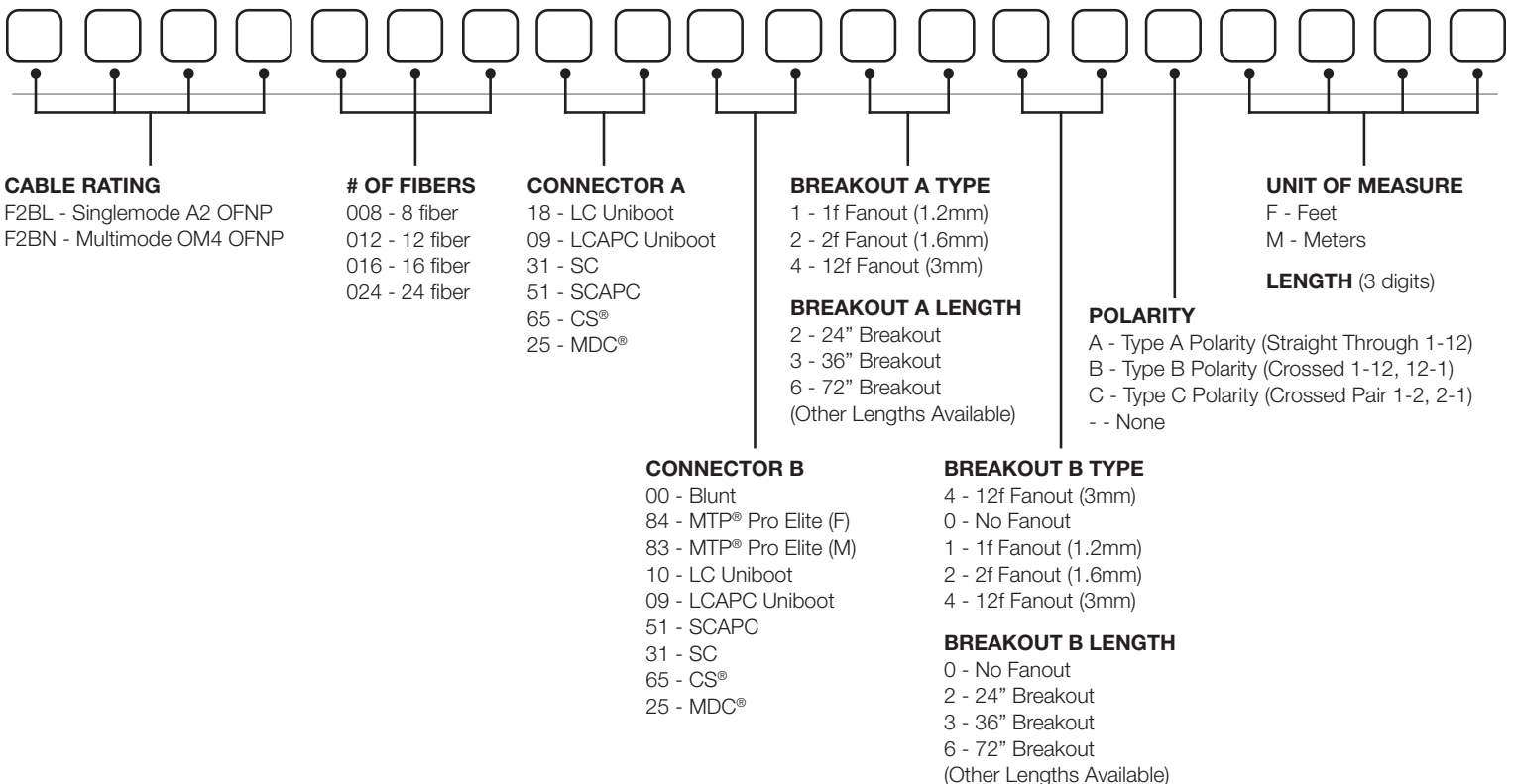
SM CONNECTORS	IL MAX (DB)	RL MAX (DB)
MTP® PRO (Elite)	0.35	-60
SCUPC, LCUPC	0.25	-55
SCAPC, LCAPC	0.25	-65
CS®	0.25	-55

MM CONNECTORS	IL MAX (DB)	RL MAX (DB)
MTP® PRO (Elite)	0.35	-30
SCUPC, LCUPC	0.25	-30
SCAPC, LCAPC	0.25	-30
CS®	0.25	-30

FIBER COUNT	OD	TENSILE	BEND RADIUS	FIBERS/TRAY
8f	3.0 mm	100 lbs	SM 0.9" / MM 1.2"	12,928
12f	3.0 mm	100 lbs	SM 0.9" / MM 1.2"	19,392
16f	3.8 mm	150 lbs	SM 1.2" / MM 1.5"	16,640
24f	3.0 mm	150 lbs	SM 1.2" / MM 1.2"	38,784
24f	3.8 mm	150 lbs	SM 1.2" / MM 1.5"	24,960



**Example:
F2BL01218842300-F100**



DALLAS • DETROIT

Corporate Offices: 359 Robbins Drive • Troy, MI 48083
Phone: 888.8.CABLCON • Fax: 248.588.1462 • www.cablcon.com

